

Double Temperature Promotion Cabinet (Air - Cooling)

www.createrefrigeration.com



Safety

Stable product performance, safer food preservation



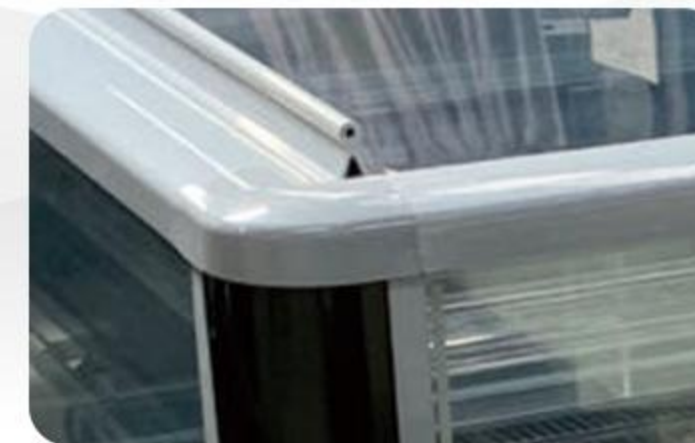
Energy Friendly

From design to production, Create is committed to the application of environmentally friendly refrigerants and new energy-saving materials in products, pursuing high efficiency and energy conservation, and leading a green lifestyle.



Environmental Friendly

Advocate green technology and commit to the path of sustainable development; Apply the concept of green environmental protection to design, materials, energy efficiency, and engineering.



AVAILABLE COLOURS

RAL9005; GN150A; GL180A; GY070A;
MW201T; GL205A; RAL9003; RAL9010

ENHANCED
ENERGY EFFICIENCY
VERSATILITY



MAIN PARAMETERS

Light: LED/6500K 24V

Compressor: Secop

Thermostat: Elitech/Dixell/Hkreco

Refrigeration Method: Air cooling

Defrost Method: Automatic

Fan: EBM

Refrigerant: R404a/R290

CUSTOMIZABLE ITEMS

- Optional glass sliding door
- Customizable product color, plug and voltage frequency
- Optional Plug in/Remote

FEATURES

- Four side transparent glass, transparent display effect good
- 360 degrees circulation air-cooling, not frost
- The appearance of design concise, generous
- Accurate electronic temperature control, scientific temperature control, fully meet the use of demand
- A variety of specifications optional, flexible application of a variety of supermarket stores

Model

CX1875

CX2500

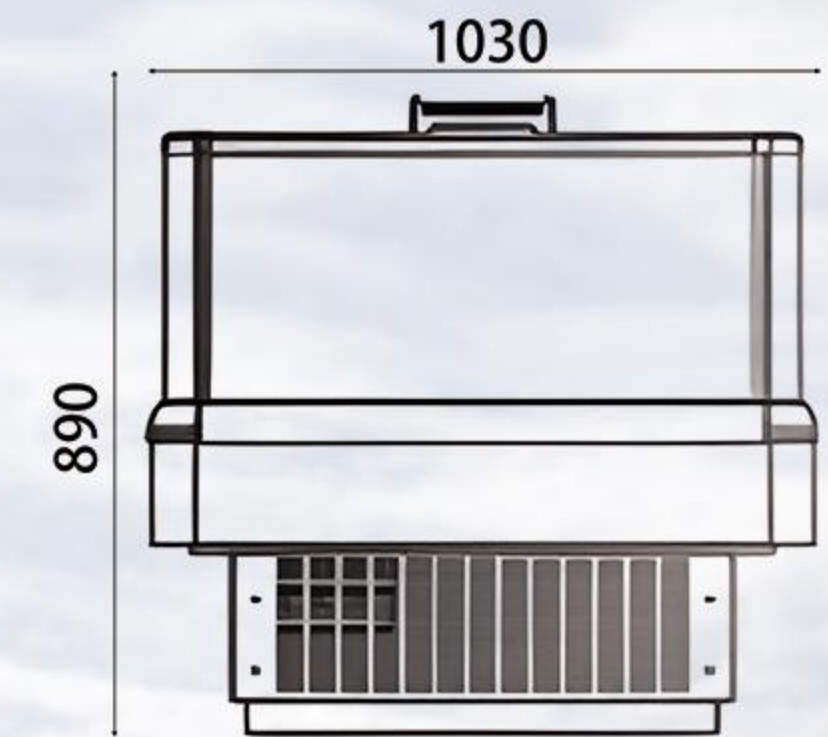
CX2900

Size

1450*1030*890

2100*1030*890

2500*1030*890



Volume

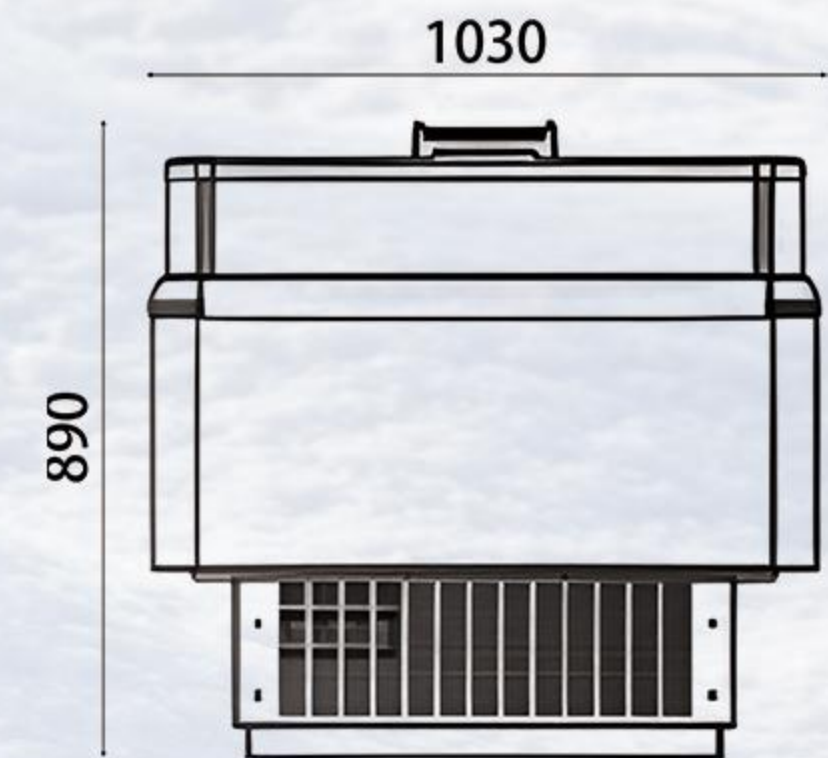
580L/860L/980L

Temperature

2~8°C/-18~-22°C

Voltage/Frequency

220V/50HZ; 110V/60HZ; 220V/60HZ



Additional Information

All Dimensions shown in Millimetres (mm) unless otherwise stated. Dimensions and features are subject to change. Please obtain current technical information prior to order confirmation.

NOTE: We reserve the right to change or revise specifications and product design in connection with any feature of our products. Such changes do not entitle the buyer to corresponding changes, improvements, additions or replacements for equipment previously sold or Shipped.

PHONE: +86 17661771729

MAIL: create29@createrefrigeration.com



<https://www.createrefrigeration.com/>
Xingfu Industrial Park, Binzhou City, Shandong Province, China