

Right Angle Flat Top Service Over Counter Plug - In & Remote

www.createrefrigeration.com



Safety

Stable product performance, safer food preservation



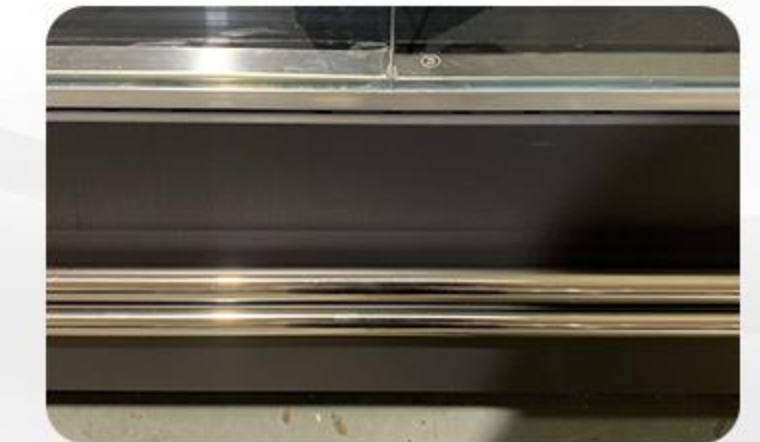
Energy Friendly

From design to production, Create is committed to the application of environmentally friendly refrigerants and new energy-saving materials in products, pursuing high efficiency and energy conservation, and leading a green lifestyle.



Environmental Friendly

Advocate green technology and commit to the path of sustainable development; Apply the concept of green environmental protection to design, materials, energy efficiency, and engineering.



AVAILABLE COLOURS

RAL9005; GN150A; GL180A; GY070A;
MW201T; GL205A; RAL9003; RAL9010

**ENHANCED
ENERGY EFFICIENCY
VERSATILITY**



MAIN PARAMETERS

Light: LED
Compressor: Secop/Outdoor Compressor
Thermostat: Elitech/Dixell/Hkreco
Refrigeration method: Air cooling
Air cooling: Automatic
Fan: EBM
Refrigerant: R404a/R448a/R290

CUSTOMIZABLE ITEMS

- Optional Plug in/Remote
- The front glass can be optionally fixed glass, left and right sliding doors, or flip glass doors
- Customizable product color, plug and voltage frequency

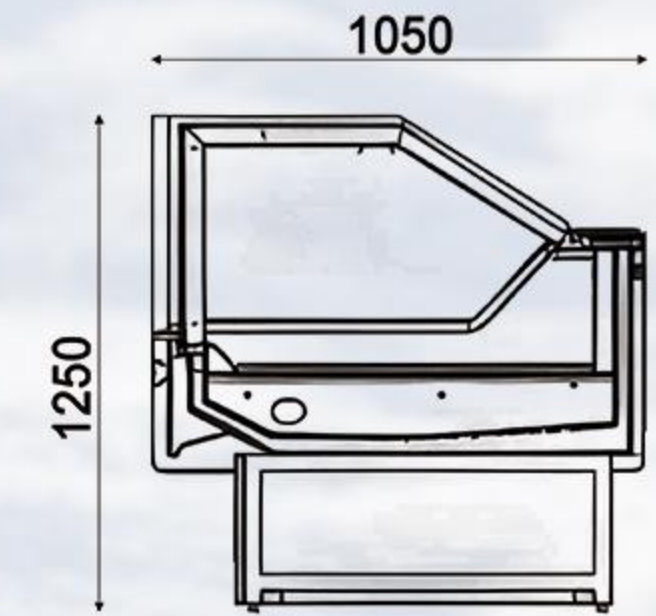
FEATURES

- The cabinet is easy to clean and hygienic. Powder-coated galvanized sheet exterior surface makes the cabinet beautiful and elegant.
- The air speed and air volume in the cabinet are more uniform, and the insulation layer is 50mm, which prevents the loss of cooling capacity, increases the cooling capacity and ensures the comprehensive energy consumption ratio of the product.
- Imported compressors meet the cooling capacity needs of this product. Noise is controlled at 45 decibels. Solved the problem of high noise of the whole machine.
- Brand new LED lighting, 6500k white light display, no blind spots in the space, and outstanding product display effect.
- The product is suitable for supermarkets and convenience stores to store beer drinks, fruits and vegetables, cakes, desserts, meat and other refrigerated foods.

Model

GKA-18	GKA-18R	1875*1050*1250
GKA-25	GKA-25R	1500*1050*1250
GKA-29	GKA-29R	2900*1050*1250
GKA-37	GKA-37R	3750*1050*1250

Size



Volume

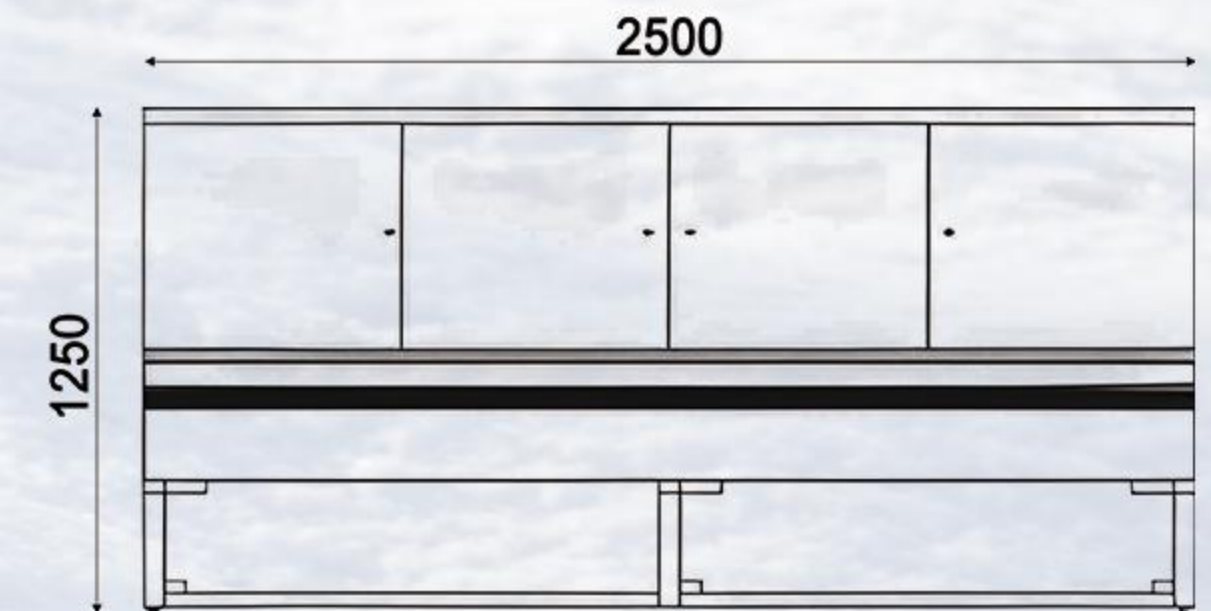
250L/330L/420L/520L

Temperature

0~5°C

Voltage/Frequency

220V/50HZ; 110V/60HZ; 220V/60HZ



Additional Information

All Dimensions shown in Millimetres (mm) unless otherwise stated. Dimensions and features are subject to change. Please obtain current technical information prior to order confirmation.

NOTE: We reserve the right to change or revise specifications and product design in connection with any feature of our products. Such changes do not entitle the buyer to corresponding changes, improvements, additions or replacements for equipment previously sold or Shipped.

PHONE: +86 17661771729
MAIL: create29@createrefrigeration.com



<https://www.createrefrigeration.com/>
Xingfu Industrial Park, Binzhou City, Shandong Province, China